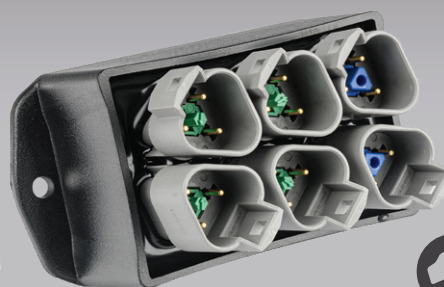


Connectors

- Designed and manufactured by IONNIC, using genuine TE DEUTSCH components.
- Compact, efficient design.
- TE DEUTSCH DT Series connectors.
- Environmentally sealed.
- Epoxy filled ABS housing.
- J1939 models available in kits with mating connectors plus 120 Ohm resistor plug.
- Made in Australia.



CONNKIT-3X8

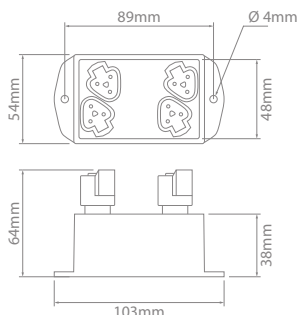
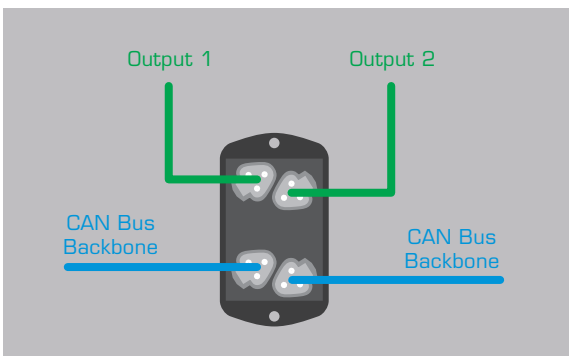


CONNKIT-6

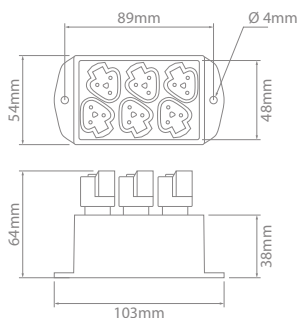
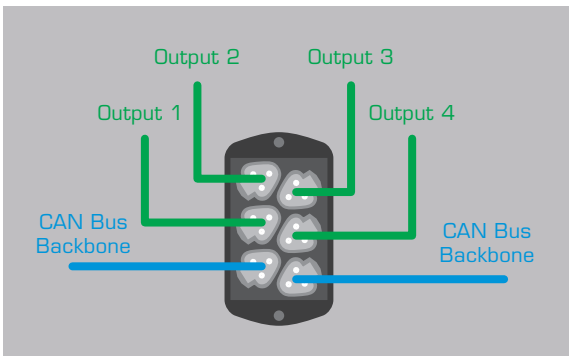
Bussing Hubs



Housing : ABS
 Connector : Thermoplastic
 Operating Temperature : -40°C to 85°C



CONNKIT-4



Gold-plated contacts on both models

CONNKIT-6

Bussing Hubs – J1939

Part No.

CONNKIT-4 NEW

CONNKIT-6

Description

Provides 2 branches from backbone

Provides 4 branches from backbone

Mating Components

4 x DT06-3S, 2 x **W3S-PO12**, 2 x **W3S-1939-PO12**

6 x DT06-3S, 4 x **W3S-PO12**, 2 x **W3S-1939-PO12**





Bussing Hubs – J1939 – 2 Branch Kit **NEW**

Part No.	Description
CONNKIT-4JUNCTION	CAN bus 2 branch hub with mating connectors + 120 Ohm resistor plug

Kit Contents:

- 1 x CAN Bus 2 Branch Hub (CONNKIT-4)
- 4 x TE DEUTSCH Plug – DT Series – 3 Circuit (DT06-3S-C015)
- 2 x TE DEUTSCH Wedgelock Green (W3S-P012)
- 2 x TE DEUTSCH Wedgelock Blue (W3S-1939-P012)
- 12 x TE DEUTSCH Contact Gold-Plated (O462-201-1631)
- 1 x TE DEUTSCH 120 Ohm Resistor Plug (DT06-3S-P006)



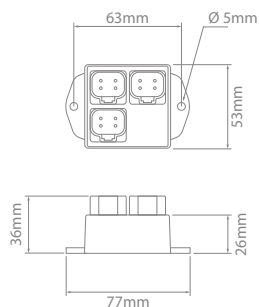
Bussing Hubs – J1939 – 4 Branch Kit **NEW**

Part No.	Description
CONNKIT-6JUNCTION	CAN bus 4 branch hub with mating connectors + 120 Ohm resistor plug

Kit Contents:

- 1 x CAN Bus 4 Branch Hub (CONNKIT-6)
- 6 x TE DEUTSCH Plug – DT Series – 3 Circuit (DT06-3S-C015)
- 4 x TE DEUTSCH Wedgelock Green (W3S-P012)
- 2 x TE DEUTSCH Wedgelock Blue (W3S-1939-P012)
- 18 x TE DEUTSCH Contact Gold-Plated (O462-201-1631)
- 1 x TE DEUTSCH 120 Ohm Resistor Plug (DT06-3S-P006)

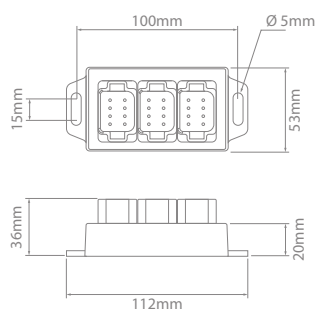
Connectors



NEW



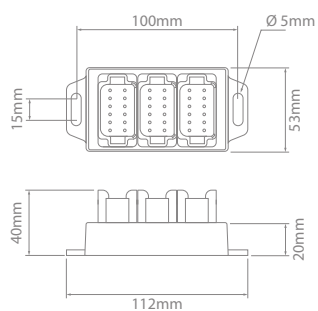
CONNKIT-3X4



NEW



CONNKIT-3X8



NEW



CONNKIT-3X12

Bussing Hubs

NEW

Part No.	Description	Mating Components
CONNKIT-3X4	3 x 4 Bussed Circuit	3 x DT06-4S, 3 x W4S
CONNKIT-3X8	3 x 8 Bussed Circuit	3 x DT06-08SA, 3 x W8S
CONNKIT-3X12	3 x 12 Bussed Circuit	3 x DT06-12SA, 3 x W12S

All pins are bussed to their corresponding numbers.

Current Rating: 10A

